



Tiger Lifting



www.tigerlifting.com

Tiger

Home of the Tiger hoisting range & Tiger subsea lifting products

Tiger TG/TP Trolley



20t Geared Trolley



1t Geared Trolley with optional beam locking device

Main Features

- Plain Trolley Range from 0.5t to 10.0t
- Geared Trolley Range from 0.5t to 30.0t
- The anti-drop plates design ensures extra safety, and also prevents damage to the wheels when contacting end rail stoppers
- Tiger trolley wheels are specially designed with a convex profile eliminating potential point loading
- The wheels run on sealed ball bearings for smoother rolling with less effort and maintenance
- Twin bar or single bar trolleys available
- Geared type available
- Extended beam width available
- Corrosion or Spark Resistant versions available
- Operating temperature of -30°C to +50°C (temperature range of -50°C to +50°C available as an option)
- Optional beam locking device
- The 5:1 factor of safety allows for use with manual or powered hoists





These units meet and exceed all the requirements within BS EN 13157: 2004+A1:2009 and AS1418.2.

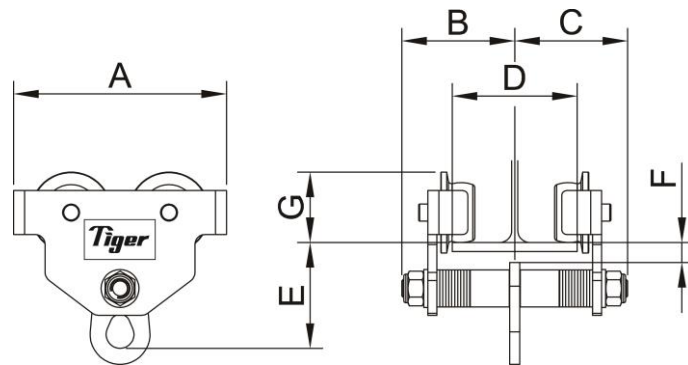
Certification:

Each unit comes fully certified with a test certificate or an EC Declaration of Conformity stating compliance with the essential health and safety requirements of the Machinery Directive 2006/42/EC.

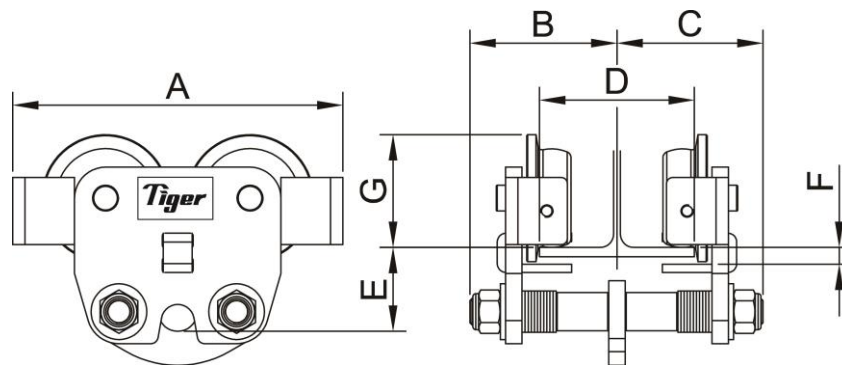
Technical Data - Plain Trolleys

	Product Code	Capacity (tonne)	D - Track width		Dimensions (mm)						Min. curve ratio (m)	Net Weight (kg)
			Range 1 (mm)	Range 2 (mm)	A	B	C	E	F	G		
Single Bar Trolleys	TPS-0050	0.5	62-128	62-203	195	106	106	98	20	64	0.8	5.0
	TPS-0100	1.0	62-128	62-203	213	113	113	106	20	71	1.0	7.5
	TPS-0200	2.0	88-154	88-230	236	136	136	132	25	80	1.3	12.0
	TPS-0300	3.0	87-153	88-230	281	146	146	150	25	97	1.5	19.0
	TPS-0500	5.0	106-194	106-305	323	169	169	174	30	117	1.5	30.0
Twin Bar Trolleys*	TPT-0300	3.0	87-153	88-230	320	142	142	82	16	110	1.5	19.0
	TPT-0500	5.0	106-194	106-305	352	167	166	91	24	131	1.5	30.0
	TPT-1000	10.0	150-320	N/A	460	255	255	248	42	182	2.7	135.5

*0.5t-2t twin bar available as special orders – minimum order 100 each size – please contact us for details



Single Bar



Twin Bar



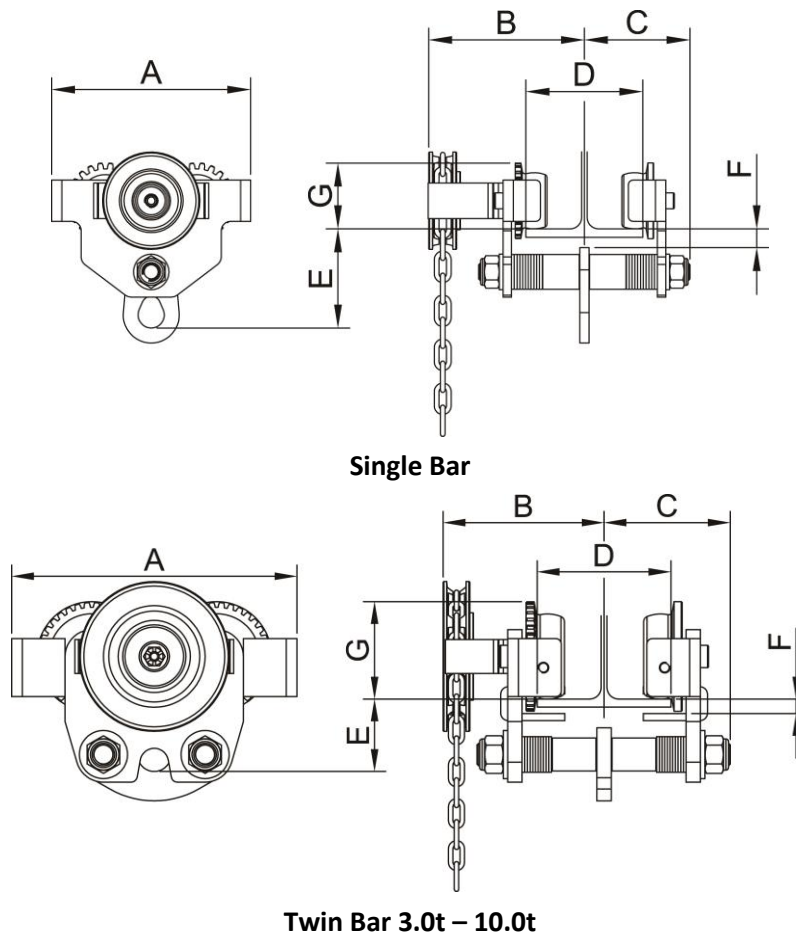


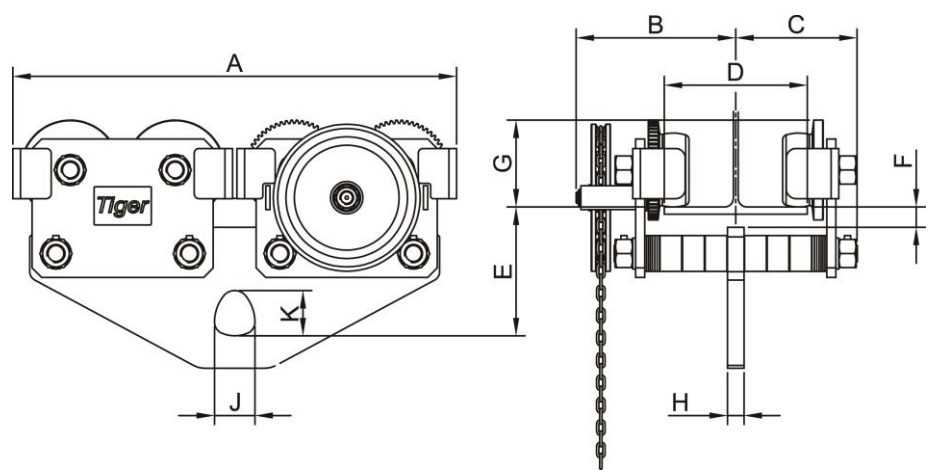
Technical Data - Geared Trolleys

	Product Code	Capacity (tonne)	D - Track width		Dimensions (mm)									Min. curve ratio (m)	Net Weight (kg)
			Range 1 (mm)	Range 2 (mm)	A	B	C	E	F	G	H	J	K		
Single Bar Trolleys	TGS-0050	0.5	62-128	62-203	195	165	106	98	20	64				0.8	9.0
	TGS-0100	1.0	62-128	62-203	213	170	113	106	20	71				1.0	11.0
	TGS-0200	2.0	88-154	88-230	236	182	136	132	25	80				1.3	16.5
	TGS-0300	3.0	87-153	88-230	281	184	146	150	25	97				1.5	23.5
	TGS-0500	5.0	106-194	106-305	323	210	169	174	30	117				1.5	34.5
Twin Bar Trolleys*	TGT-0300	3.0	87-153	88-230	320	181	142	82	16	110				1.5	23.5
	TGT-0500	5.0	106-194	106-305	352	202	166	91	24	131				1.5	34.5
	TGT-1000	10.0	150-320	N/A	460	335	255	248	42	182				2.7	150.0
	TGT-2000	20.0	150-320	N/A	930	335	255	270	42	182	35	85	95	6.0	356.0
	TGT-2500	25.0	150-320	N/A	930	335	255	278	42	182	38	100	115	6.0	363.0
	TGT-3000	30.0	150-320	N/A	990	348	267	288	42	182	38	100	115	6.0	368.0

Standard geared trolley hand chain length – 2.5m. We can change the length to suit your requirements.

*0.5t-2t twin bar available as special orders – minimum order 100 each size – please contact us for details

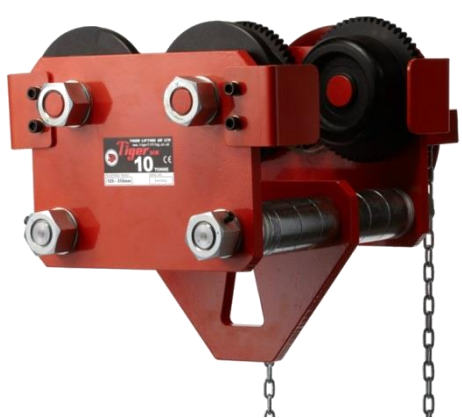




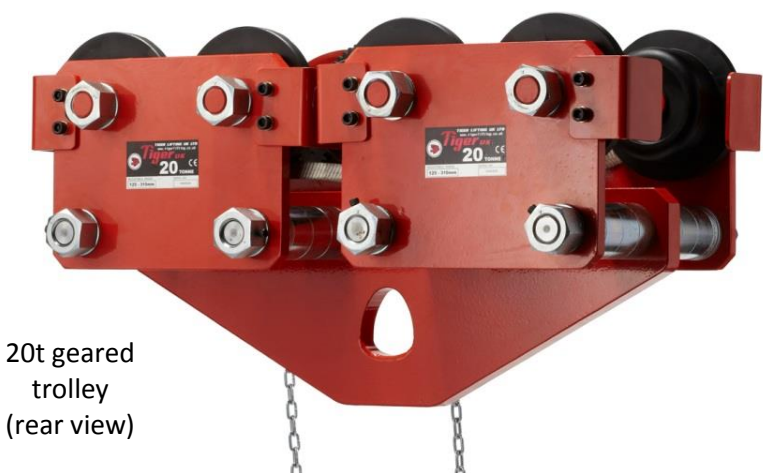
Twin Bar Trolley 20.0t – 30.0t

Due to our policy of continual product development, dimensions, weights and specifications may change without prior notice. Please check with your Tiger sales team when ordering.

Photo Gallery



10t geared trolley



20t geared trolley (rear view)



Spark Resistant option

